



Kingston™ Comfort Height®

Two-piece elongated 1.28 gpf chair height toilet
K-25077-TR

Features

- Ideal for commercial installations.
- Two-piece design.
- Elongated bowl offers added room and comfort.
- 1.28 gpf (4.8 lpf).
- Durable metal right-hand Polished Chrome trip lever.
- 2-1/8" (54 mm) fully glazed trapway.
- Tank cover locks included.
- Easy-to-service silicone seal.
- Sanitary guard where bowl and tank meet for ease of cleaning.
- Encapsulated bolts prevent rust and corrosion.
- Combination consists of the K-25076 bowl and K-25100-TR tank.



Technology

- Single-flush gravity uses the force of gravity and a precision-engineered tank, bowl, and trapway to create a strong siphon during flushing.
- Class Five® flushing technology offers virtually plug-free performance and rinsing power for a clean bowl.
- Class Five® canister allows water to flow out of the tank from all sides (360 degrees), increasing the power and effectiveness of the flush.
- Flush valve's 3:2 ratio harnesses the natural force of gravity and optimizes flush performance.
- Durable canister design has 90% less exposed seal material than a 3" flapper for leak-free performance.

Installation

- Three-bolt quick-connect installation.
- Standard 12" (305 mm) rough-in.
- Seat and supply line sold separately.

Recommended Products/Accessories

- K-7637 Angle Supply with Stop (single)
- K-20110 Brevia™ Quiet-Close™ Elongated Toilet Seat
- K-4650-A Lustra™ Elongated Toilet Seat
- K-5420 Low-Profile Bolt Caps
- K-23726 Drain treatment

Included Components

Product consists of:

- K-25076 Elongated chair height toilet bowl
- K-25100-TR Toilet tank with cover locks, 1.28 gpf

Additional Components:

- Bolt cap accessory pack



ADA CSA B651 OBC

Codes/Standards

- ASME A112.19.2/CSA B45.1
- DOE - Energy Policy Act 1992
- EPA WaterSense®
- California Energy Commission (CEC)
- ADA
- ICC/ANSI A117.1
- CSA B651
- OBC

KOHLER® Toilets and Seats Limited Warranty

See website for detailed warranty information.

Available Colors/Finishes

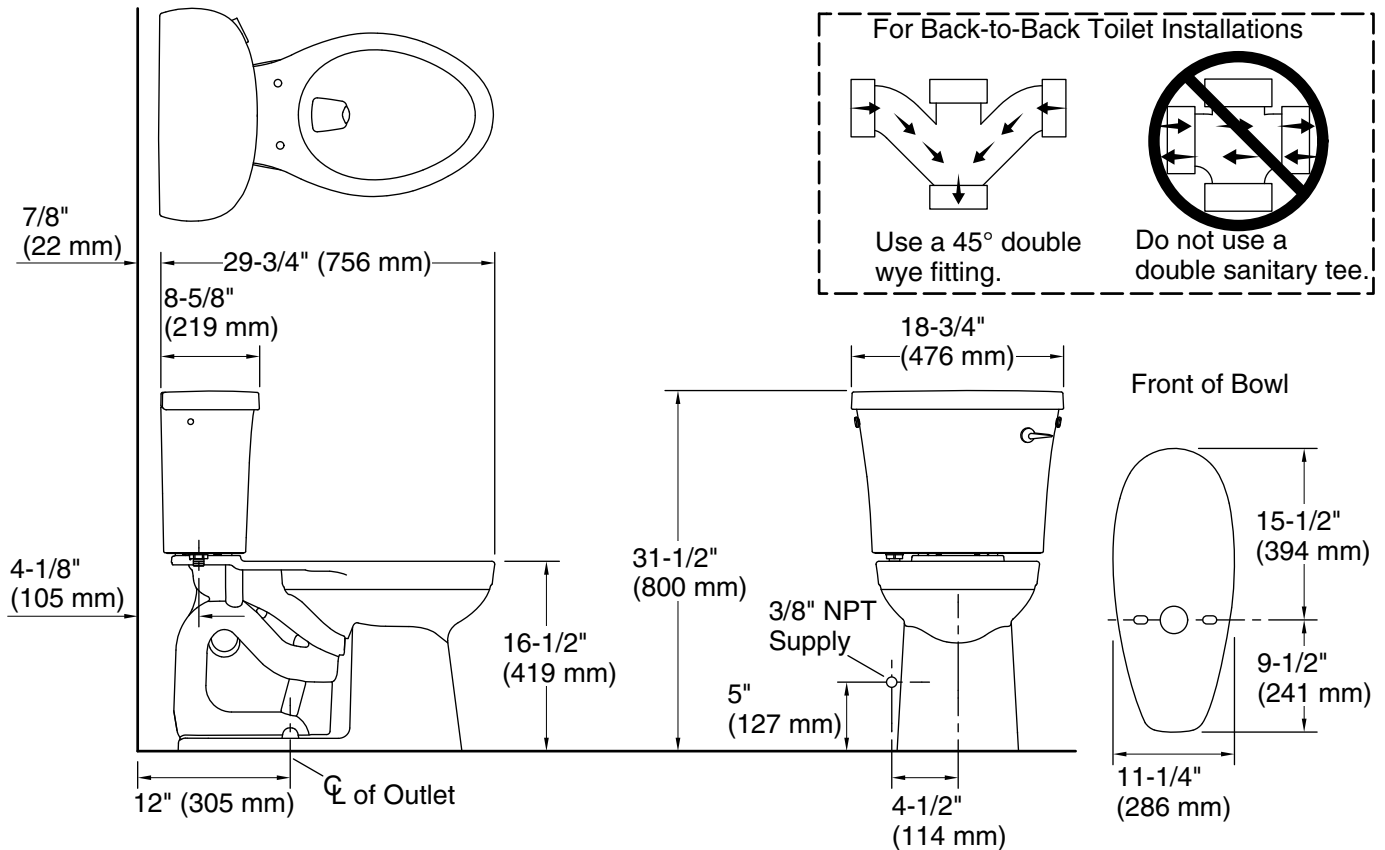
Color tiles intended for reference only.

Color Code Description

	0	White
--	---	-------



Kingston™ Comfort Height®
Two-piece elongated 1.28 gpf chair height toilet
K-25077-TR



Technical Information

All product dimensions are nominal.

Toilet type:	Two-piece, Floor-mount
Waste Outlet:	Floor
Bowl shape:	Elongated
Flush type:	Gravity siphon jet
Trap passageway:	2-1/8" (54 mm)
Water Consumption	
Full:	1.28 gpf (4.8 lpf)
Water surface size:	10-5/8" x 6-15/16" (269 mm x 176 mm)
Rim to water surface:	5-5/8" (143 mm)
Rough-in:	12" (305 mm)
Seat-mounting holes:	5-1/2" (140 mm)

Notes

Install this product according to the installation instructions.

For back-to-back toilet installations: Use only a 45° double wye fitting.

ADA, OBC, CSA B651 compliant when installed to the specific requirements of these regulations.

Plumbing codes may require elongated toilets and elongated, open-front seats in public bathrooms.

Accessibility standards may require controls to be located on the open side of the toilet.